

**BALDOR® • RELIANCE** 

**Product Information Packet**

**SUM73004-4**

**30HP,1750RPM,3PH,60HZ,250TY,TENV,FOOTLE**

Part Detail							
Revision:	A	Status:	PRD/A	Change #:		Proprietary:	No
Type:	AC	Elec. Spec:	W00699B E 002	CD Diagram:	416820-001	Mfg Plant:	
Mech. Spec:		Layout:	066930-018	Poles:	04	Created Date:	04-09-2015
Base:		Eff. Date:	08-19-2019	Leads:			

Specs			
Catalog Number:	SUM73004-4	Duty Rating:	15 MIN
Enclosure:	TENV	Heater Indicator:	No Heater
Frame:	250TY	Insulation Class:	F
Frame Material:	Iron	Inverter Code:	Not Inverter
Output @ Frequency:	30.000 @ 60 HZ	KVA Code:	F
Voltage @ Frequency:	230 V @ 60 HZ	Lifting Lugs:	Standard Lifting Lugs
	460 V @ 60 HZ	Motor Type:	M
XP Class and Group:	None	Mounting Arrangement:	V1
XP Division:	Not Applicable	Product Family:	Other
Agency Approvals:	CCSA US	Pulley End Bearing Type:	Ball
	CSA	Pulley Face Code:	Standard
	UL	Shaft Rotation:	Reversible
Base Indicator:	Rigid	Shaft Slinger Indicator:	No Slinger
Bearing Grease Type:	Polyrex EM (-20F +300F)	Speed Code:	Single Speed
Current @ Voltage:	39.9 A @ 460 V	Motor Standards:	NEMA
	79.8 A @ 230 V	Starting Method:	Direct on line
Design Code:	B	Thermal Device - Winding:	Normally Closed Thermostat
Drip Cover:	No Drip Cover	XP Temp Code:	T3C

Nameplate 000613007AC		
CLASS I GROUP	C D X	NO. <input type="text"/>
CLASS II GROUP	X X X	
OPERATING TEMP CODE	T3C	

<b>Nameplate 000613007MN</b>										
<b>CAT NO</b>	SUM73004-4			<b>SPEC NO.</b>	P25G2704					
<b>HP</b>	30	<b>AMPS</b>	79.8/39.9		<b>VOLTS</b>	230/460		<b>DESIGN</b>	B	
<b>FRAME SIZE</b>	X250TY	<b>RPM</b>	1750		<b>HZ</b>	60	<b>AMB</b>	40	<b>SF</b>	1.15
<b>D.E. BRG.</b>	60BC03JPP30A			<b>PH</b>	3		<b>DUTY</b>	15MIN		
<b>O.D.E. BRG.</b>	40BC02JPG30A			<b>TYPE</b>	P		<b>ENCL</b>	TENV		
				<b>POWER FACTOR</b>			<b>NEMA-NOM-EFF</b>			
				<b>MAX CORR KVAR</b>			<b>GUARANTEED EFFICIENCY</b>			
					<b>NEMA NOM/CSA QUOTED EFF @</b>		<b>100% LOAD</b>			
<b>SER.NO.</b>				<b>MOTOR WEIGHT</b>			<b>LBS.</b>			
	*15 MIN IN AIR ,SUB. IN WATER									
	/SEWAGE ONLY MAX DEPTH- SEE									
	INSTR MAN FINAL CONN 460V									

<b>Nameplate 000613007MR</b>										
<b>CAT NO</b>	SUM73004-4		<b>SPEC NO.</b>	P25G2704						
<b>HP</b>	30	<b>AMPS</b>	79.8/39.9		<b>VOLTS</b>	230/460		<b>DESIGN</b>	B	
<b>FRAME SIZE</b>	X250TY		<b>RPM</b>	1750	<b>HZ</b>	60	<b>AMB</b>	40	<b>SF</b>	1.15
<b>D.E. BRG.</b>	60BC03JPP30A		<b>PH</b>	3	<b>DUTY</b>	15MIN		<b>INSUL</b>	F	
<b>O.D.E. BRG.</b>	40BC02JPG30A		<b>TYPE</b>	P	<b>ENCL</b>	TENV		<b>CODE</b>	F	
			<b>POWER FACTOR</b>		<b>NEMA-NOM-EFF</b>					
			<b>MAX CORR KVAR</b>		<b>GUARANTEED EFFICIENCY</b>					
					<b>NEMA NOM/CSA QUOTED EFF @</b>			<b>100% LOAD</b>		
<b>SER.NO.</b>					<b>MOTOR WEIGHT</b>			<b>LBS.</b>		
	*15 MIN IN AIR ,SUB. IN WATER									
	/SEWAGE ONLY MAX DEPTH- SEE									
	INSTR MAN FINAL CONN 460V									

Parts List		
Part Number	Description	Quantity
SA297365	SA P25G2704	1.000 EA
RA283658	RA P25G2704	1.000 EA
424476003WB	WIRING DIAGRAM MEDIUMA	1.000 EA
000613007AC	UL NAMEPLATE FOR HAZARDOUS LOCATIONS	1.000 EA
000613007MN	NP,MEDIUM AC,NO CERT,STD INDUSTRIAL	1.000 EA
000613007MR	NP, MEDIUM AC, CSA, STD INDUSTRIAL	1.000 EA
000692000EJ	NAME PLATE	1.000 EA
000901001AA	LABEL WARNING	1.000 EA
001575000A	WIRING DIAGRAM	1.000 EA
424476003WB	WIRING DIAGRAM MEDIUMA	1.000 EA
034692002AE	HCSPP 1/4" 304 S.S.	1.000 EA
004824015A	GREASE POLYREX EM	0.200 LB
032018014DG	HHCS1/2-13X1-3/4 3165SS	4.000 EA
032130010DC	HSHCS 1/2-13X1-1/4 304SS	4.000 EA
032620020JD	HSSS 10-24X5/8L 304S.S.	1.000 EA
034141225AC	RING, RETAINING	1.000 EA
034692003AE	PPLG 3/8" 304 S.S.	2.000 EA
047174005D	SNAP RING	1.000 EA
064262012D	SEAL	1.000 EA
064262012E	SEAL	1.000 EA
088210001AB	BRKT,DE,250SUB 88210-1WB	1.000 EA
088211001AA	PLTE 250 88211-1WB	1.000 EA
413412004A	SUBM MOISTURE PROBE	2.000 EA
413412005T	LEAD WIRE ASSY (BLANKE	1.000 EA

Parts List (continued)		
Part Number	Description	Quantity
413480001R	RESISTOR ASSEMBLY-BLANKET	1.000 EA
421900168FU	ORING	1.000 EA
421900168FU	ORING	1.000 EA
004824018AF	SHELL ROTELLA OIL 10W	1.000 LB
603762001AA	LABRYNTH BLKT	1.000 EA
032018006BM	HHCS 5/16-18X3/4 PLTGRN.	1.000 EA
032018006BM	HHCS 5/16-18X3/4 PLTGRN.	1.000 EA
034036013AB	LCKW 5/16 EXT.TOOTH LCKW	1.000 EA
047024003AH	T/LUG AMP 34112	4.000 EA
032018010CG	HHCS 3/8-16X1-1/4L 316SS V2T23	4.000 EA
032080003LB	HWHMS 1/4-20X3/8L PLTED	3.000 EA
032080003JB	HWHMS 10-24X3/8L PLTED	4.000 EA
415031017A	NUT W/WASHER 10-24 C.PLT	4.000 EA
047024003J	TERMINAL LUG- Amp 33461	9.000 EA
415031017B	NUT W/WASHER1/4-20 C.P	3.000 EA
421900092FU	ORING	1.000 EA
609181014D	HEAT SHRINK TUBING 3/4	7.000 EA
700385014P	CCA #2 25' 210/250	1.000 EA
004824007K	SPECIAL PAINT	0.100 EA
033775004EA	DRSCR #6-1/4 304 S.S.	4.000 EA
034180018FD	KEY 3/8X3/8X2-1/4L 303SS	1.000 EA
088209001AB	BRKT,DE,250SUB 88209-1WCD	1.000 EA
421900168FU	ORING	1.000 EA
032018008BG	HHCS 5/16-18X1 BRASS-447	3.000 EA

Product Information Packet: SUM73004-4 - 30HP,1750RPM,3PH,60HZ,250TY,TENV,FOOTLE

032018014DG	HHCS1/2-13X1-3/4 3165SS	4.000 EA
000901001AA	LABEL WARNING	1.000 EA
B3630-9	SUBM THERMOSTAT TAG	1.000 EA
B-3664002	TAG, (NON REGREASABLE)	1.000 EA

REL. S.O.	FRAME	HP	TYPE	PHASE/ HERTZ	RPM	VOLTS
	250TY	30	P	3/60	1750	230/460
AMPS	DUTY	AMB °C/ INSUL.	S.F.	NEMA DESIGN	CODE LETTER	ENCL.
79.8/39.9	*	40/F	1.15	B	F	SUB
E/S	ROTOR	TEST S.O.	TEST DATE	STATOR RES. @25 °C (BETWEEN LINES)		
424202	418138036SE	---	---	.0898 / .359		

**PERFORMANCE**


LOAD	HP	AMPERES	RPM	INPUT KW	POWER FACTOR	% EFFICIENCY
NO LOAD	0	17.4	1800	1.22	8.80	0
1/4	7.51	20.2	1788	6.93	43.2	80.9
2/4	15.0	24.9	1777	12.8	64.5	87.5
3/4	22.5	31.8	1765	18.9	74.5	88.9
4/4	30.0	39.9	1752	25.2	79.4	88.7
5/4	37.5	49.2	1736	31.9	81.4	87.7

**SPEED TORQUE**

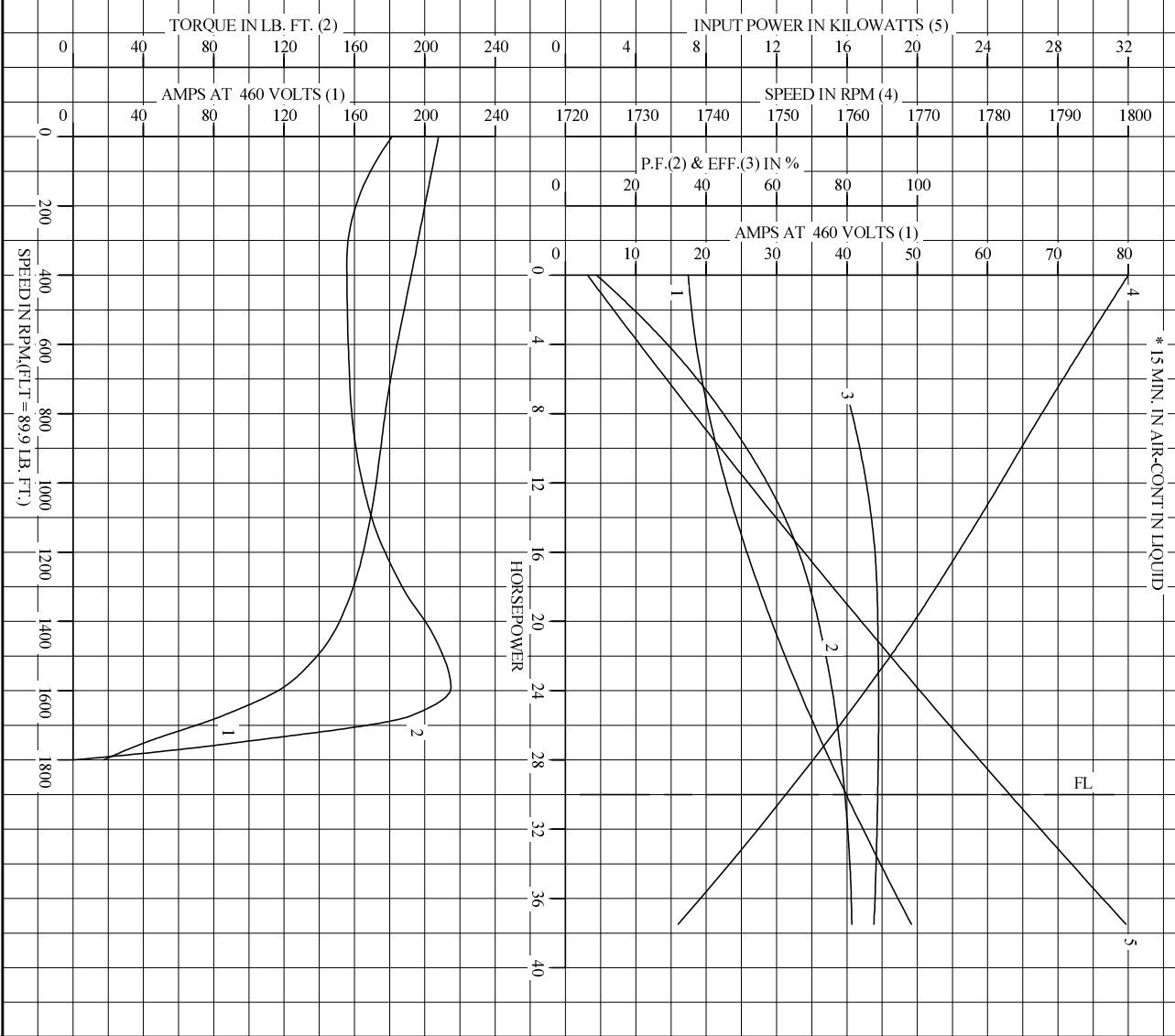
	RPM	TORQUE % FULL LOAD	TORQUE LB.-FT.	AMPERES
LOCKED ROTOR	0	202	181	208
PULL UP	360	173	156	194
BREAKDOWN	1592	239	215	119
FULL LOAD	1752	100	89.9	39.9

AMPERES SHOWN FOR 460. VOLT CONNECTION. IF OTHER VOLTAGE CONNECTIONS ARE AVAILABLE, THE AMPERES WILL VARY INVERSELY WITH THE RATED VOLTAGE

REMARKS: TYPICAL DATA  
\* 15 MIN. IN AIR-CONT IN LIQUID

 A MEMBER OF THE ABB GROUP	DR. BY D. M. BYRD	<b>A-C MOTOR</b> <b>PERFORMANCE DATA</b> W00699-B-E002 ISSUE DATE 05/10/04
	CK. BY T. WILLIAMS APP. BY D. M. BYRD DATE 05/10/04	

REL. S.O. RPM 1750 S.F. 1.15 ROTOR 418138036SE  
 FRAME 250TY VOLTS 230/460 NEMA DESIGN B TEST S.O. TYPICAL DATA  
 HP 30 AMPS 79.8/39.9 CODE LETTER F TEST DATE ---  
 TYPE P DUTY \* ENCLOSURE SUB STATOR RES. @ 25 °C .0898/.359  
 PHASE/HERTZ 3/60 AMB °C/INSUL 40/F E/S 424202 OHMS (BETWEEN LINES)



AMPERES SHOWN FOR 460 VOLT CONNECTION, IF OTHER VOLTAGE CONNECTIONS ARE AVAILABLE, THE AMPERES WILL VARY INVERSELY WITH THE RATED VOLTAGE.

**BALDOR** A MEMBER OF THE ABB GROUP

DR. BY D.M.BYRD  
 CK. BY T.WILLIAMS  
 APP. BY D.M.BYRD  
 DATE 05/10/04

**A-C MOTOR PERFORMANCE CURVES** W00699-B-E002  
 ISSUE DATE 05/10/04

Printed on 9/15/11 7:31 @ r99

066930-018

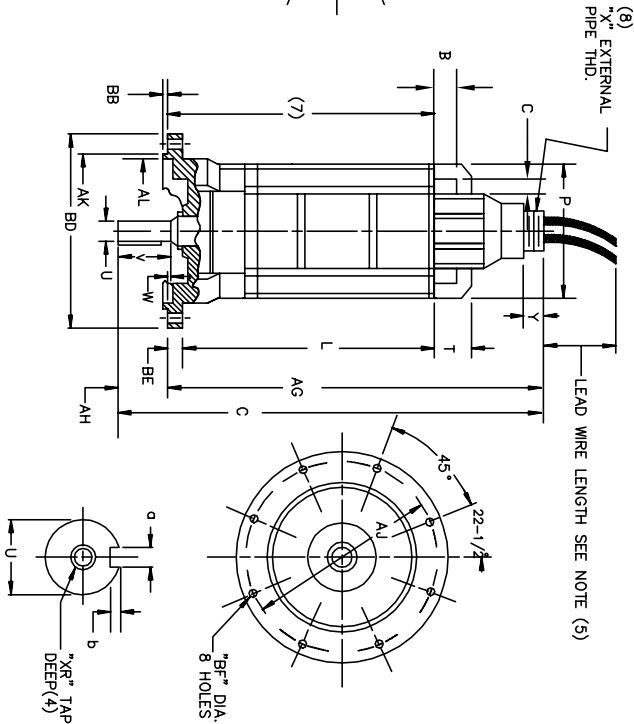
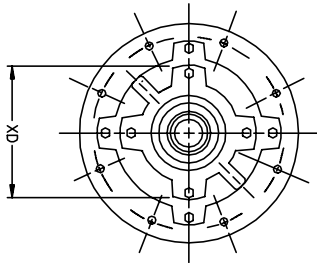
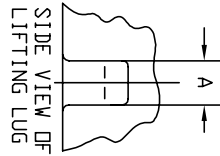
# DUTY MASTER ALTERNATING CURRENT MOTORS

SQUIRREL-CAGE INDUCTION  
ENCLOSURE: TOTALLY ENCLOSED

SUBMERSIBLE

FRAMES 210TY THRU 320TY

066930-018



DIMENSIONS ARE IN INCHES. SEE SHEET 2 FOR MILLIMETERS.

FRAME	C	L	P	T	U(3)	V	W	AG	AH	AJ	AK (6)	AL	A	B
210TY	31.69	21.12	11.50	2.25	1.4380	2.00	.44	30.12	1.56	14.12	13.125	12.00	.88	1.50
250TY	37.34	23.63	12.75	3.50	1.7500	3.31	.28	34.31	3.03	16.00	15.000	14.00	.75	2.25
320TY	43.12	24.69	15.75	4.25	2.500	3.19	2.12	37.81	5.31	17.25	16.000	15.25	1.25	2.25

FRAME	BD(2)	BE	BF	XR(4)	X (8)	Y	XD	BB	B	LENGTH	WEIGHT
210TY	15.250	.75	.56	5/8-11	2-1/2-8	1.25	7.75	.25	.375	.19	1.12
250TY	17.000	.88	.69	5/8-11	2-1/2-8	1.25	7.75	.25	.375	.19	2.25
320TY	18.750	.88	.69	3/4-10	3-8	1.25	10.88	.25	.500	.25	3.00

- (1) SPECIAL DIMENSIONS ON THIS LINE.
- (2) "BD" VARIES ±.010.
- (3) "U" VARIES — UP TO 1.625 DIA. +.0000, —.0005  
1.625 DIA. AND LARGER +.000, —.001.
- (4) TAP DEPTH ON 210TY THRU 250TY IS 1.38"  
TAP DEPTH ON 320TY IS 1.50"
- (5) LEAD WIRE LENGTH AS SPECIFIED ON CERTIFICATION
- (6) "AK" VARIES +.000, —.002
- (7) MINIMUM SUBMERGED DEPTH.

FACE RUNOUT AND ECCENTRICITY .008 MAX. T.I.R.  
PROTECTIVE CONDUIT FURNISHED BY CUSTOMER.  
(8) 3" — 8 PIPE THREAD SUPPLIED WITH CABLE  
SIZES NO. 4 AND LARGER.

FRAME \_\_\_\_\_ TYPE \_\_\_\_\_ CERTIFIED FOR \_\_\_\_\_  
ORDER \_\_\_\_\_ ITEM \_\_\_\_\_ HP \_\_\_\_\_ RPM \_\_\_\_\_ PH \_\_\_\_\_ HZ \_\_\_\_\_ VOLTS \_\_\_\_\_  
RELIANCE SALES ORDER \_\_\_\_\_ APPROVED BY \_\_\_\_\_ DATE \_\_\_\_\_

CUSTOMER IS RESPONSIBLE FOR DETERMINING THAT BALDOR'S PRODUCT WILL PERFORM SUITABLY IN THE INTENDED APPLICATION.

REV. DESC: MOVE V DIM. TO CORRECT POSITION (SH1)	VERSION: 04	TDR: 000000876933
REV. LTR: D	REVISED: 08:13:18 10/21/2014	BY: RGGWT
FILE: \RGG\00006\320		
MTL: —		

**BALDOR**

DIMENSION SHEET DUTY MASTER A/C MOTORS

SH 1 of 2

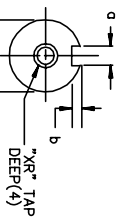
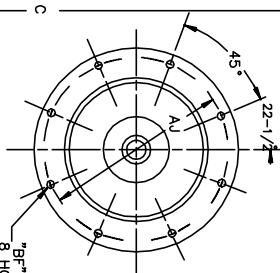
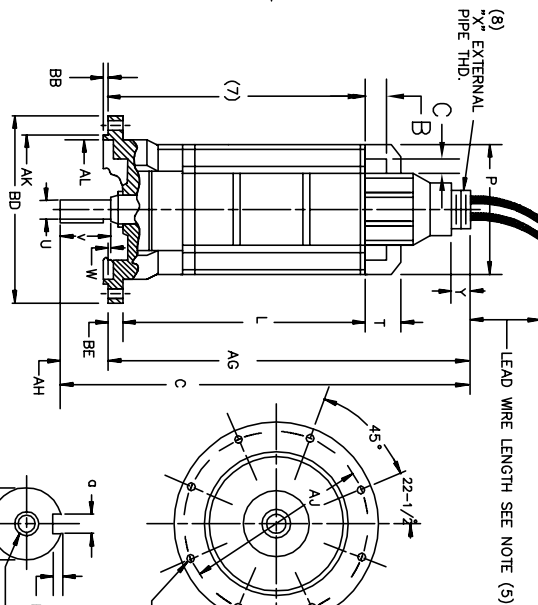
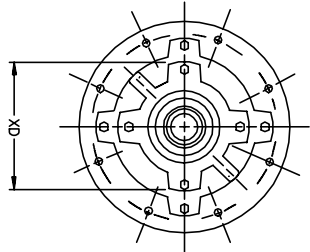
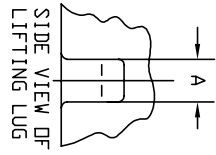
066930-018

**DUTY MASTER ALTERNATING CURRENT MOTORS**

SQUIREL-CAGE INDUCTION  
ENCLOSURE: TOTALLY ENCLOSED  
SUBMERSIBLE

FRAMES 210TY THRU 320TY

066930-018



DIMENSIONS ARE IN MILLIMETERS. SEE SHEET 1 FOR INCHES.

FRAME	C	L	P	T	U(3)	V	W	AG	AH	AJ	AK (6)	AL	LINE DIMENSIONS
210TY	804.9	536.4	292.1	57.1	36.525	50.8	11.2	765.0	39.6	358.6	333.38	304.8	22.3 36.1 44.4
250TY	948.4	600.2	323.8	88.9	44.45	84.1	7.1	871.5	77.0	406.4	381.00	355.6	19.0 57.1 53.8
320TY	1095.2	627.1	400.0	108.0	63.50	81.0	53.8	960.4	134.9	438.1	406.40	387.3	31.7 57.1 38.1

FRAME	BD(2)	BE	BF	YR(4,9)	X (6,9)	Y	X0	BB	KEYWAY	WEIGHT
210TY	387.35	18.0	14.2	5/8-11	2-1/2-8	31.7	198.8	6.4	9.52	4.8
250TY	431.80	22.4	17.5	5/8-11	2-1/2-8	31.7	198.8	6.4	9.52	4.8
320TY	476.25	22.4	17.5	3/4-10	3-8	31.7	276.4	6.4	12.70	6.4

- (1) SPECIAL DIMENSIONS ON THIS LINE.
- (2) "BD" VARIES ±25
- (3) "U" VARIES — [IP TO 41.28 DIA. +.000, -.013 AND LARGER +.000, -.025.
- (4) TAP DEPTH ON 210TY THRU 250TY IS 35MM. TAP DEPTH ON 320TY IS 38MM.
- (5) LEAD WIRE LENGTH AS SPECIFIED ON CERTIFICATION
- (6) "AK" VARIES +.000, -.050
- (7) MINIMUM SUBMERGED DEPTH.
- (8) FACE RUNOUT AND ECCENTRICITY .20 MAX. T.I.R. PROTECTIVE CONDUIT FURNISHED BY CUSTOMER.
- (9) 3" — 8 PIPE THREAD SUPPLIED WITH CABLE SIZES NO. 4 AND LARGER.
- (9) DIMENSIONS IN INCHES.

sh2

FRAME— TYPE— CERTIFIED FOR—  
 ORDER— ITEM— HP— RPM— PH— HZ— VOLTS—  
 RELIANCE SALES ORDER— APPROVED BY— DATE—

CUSTOMER IS RESPONSIBLE FOR DETERMINING THAT BALDOR'S PRODUCT WILL PERFORM SUITABLY IN THE INTENDED APPLICATION.

REV. DESC: MOVE V DIM. TO CORRECT POSITION (SH1)		
REV. LTR: D	VERSION: 04	TDR: 000000876933
FILE: \RGG\00006\320	REVISED: 08:13:18 10/21/2014	BY: RGGWT
MTL: —		

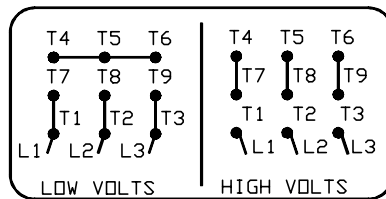
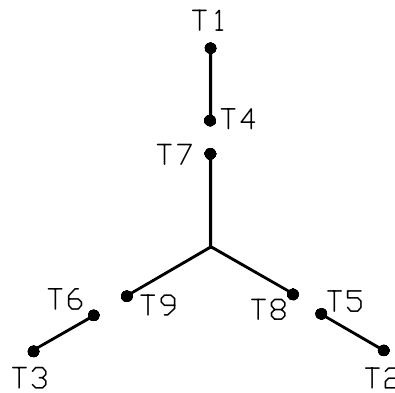
**BALDOR**

DIMENSION SHEET DUTY MASTER A/C MOTORS

SH 2 of 2

416820-001

A-C MOTOR  
 CONNECTION DIAGRAM  
 STANDARD 9 LEAD Y CONNECTED



< N. P. 1575-A >

416820-001

REV. DESC: FONT CHANGE FOR PDF SEARCHABLE		
REV. LTR: A	VERSION: 01	TDR: 000001009382
FILE: \MGA\00000\659	REVISED: 10: 33: 07 12/21/2016	BY: MGHMTT
MTL: -	⊙ □	

**BALDOR**

CONN DIAG - STANDARD 9 LEAD, Y CONNECTED

SH 1 of 1

Marketing maintained PDF of MN414:

<http://www.baldor.com/support/Literature/Load.ashx/MN414?ManNumber=MN414>

